

## Armored Sink 38" x 20" 2B – U/M



Kitchen Sinks

Code: 1231 660

AISI 304 Stainless steel

Satin finish

Undermount

x cross bending for easy water draining



### DETAILS

Edge/Installation Type	Undermount
<b>Series</b>	Quadra Armored
Texture	Satin
Material	AISI 304 stainless steel
Thickness	16 Gauge (1.5 mm)
Overall dimensions	37 1/4" x 19 1/2"
Bowls dimensions	2 bowls 2 x (17" x 18")
Bowls depth	10"

Cut out 35 1/4" x 18"

---

Waste fitting type 3 1/2" - with stainless steel basket

---

Bowls bottom X cross bending for easy water draining

---

Underside Protected with heavy duty undercoating

---

Fixing system Undermount fixing kit (brass insert and clips)

---

## FEATURES

**Diamond-shape bottom** The draining of water is an important feature in a sink, and it's always taken good care of in Foster products. In the bent-welded sinks, which would have a flat bottom, the proper draining is guaranteed by the elegant beveling, which helps the water flow.

---

**High thickness** 1.5 mm thick steel. A significant thickness, which guarantees the maximum sturdiness and durability.

---

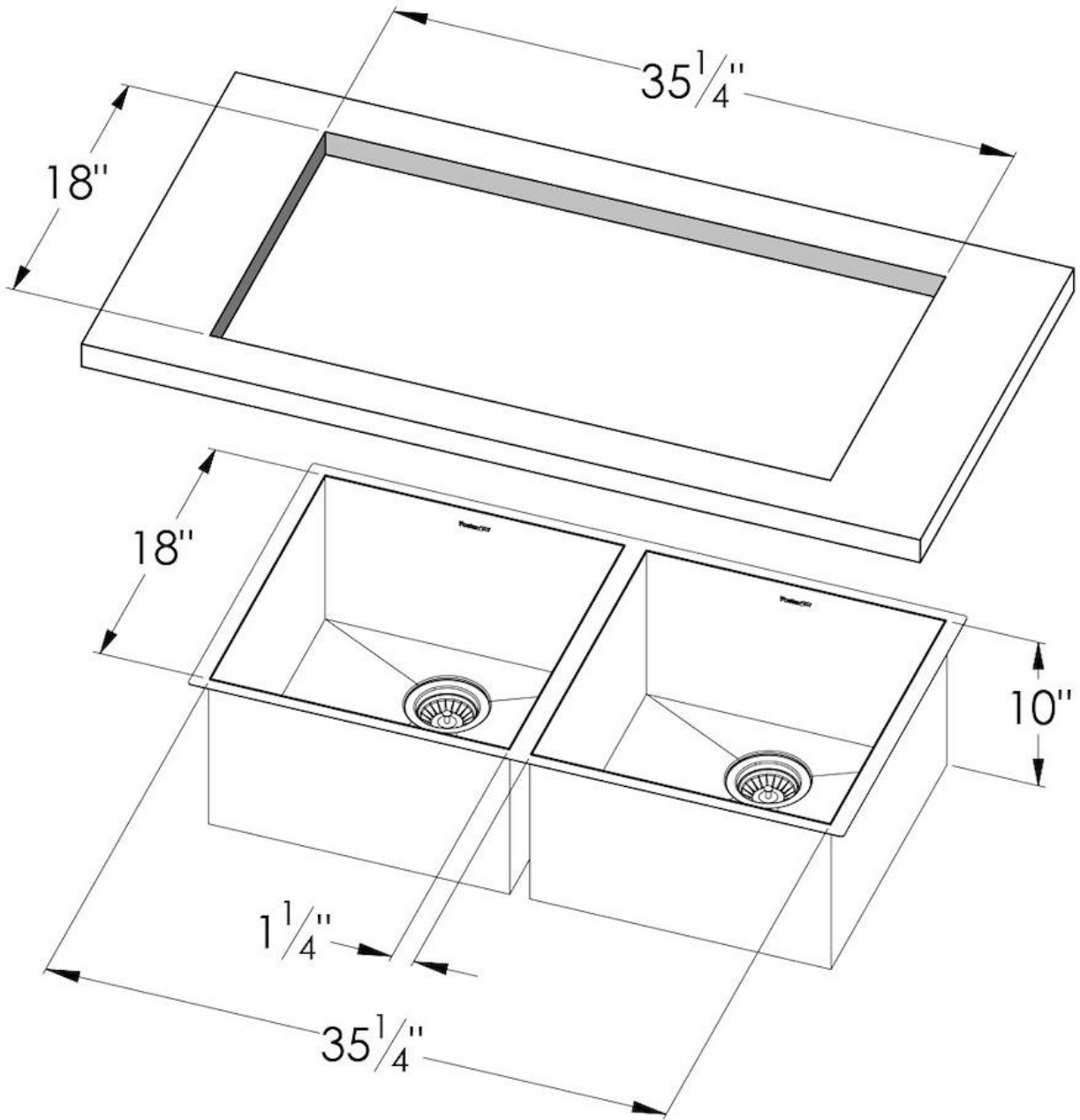
**Basket 3,5" waste fitting** The drain is equipped with a large 3.5" drain, with the practical basket cap that prevents the discharge of solid parts.

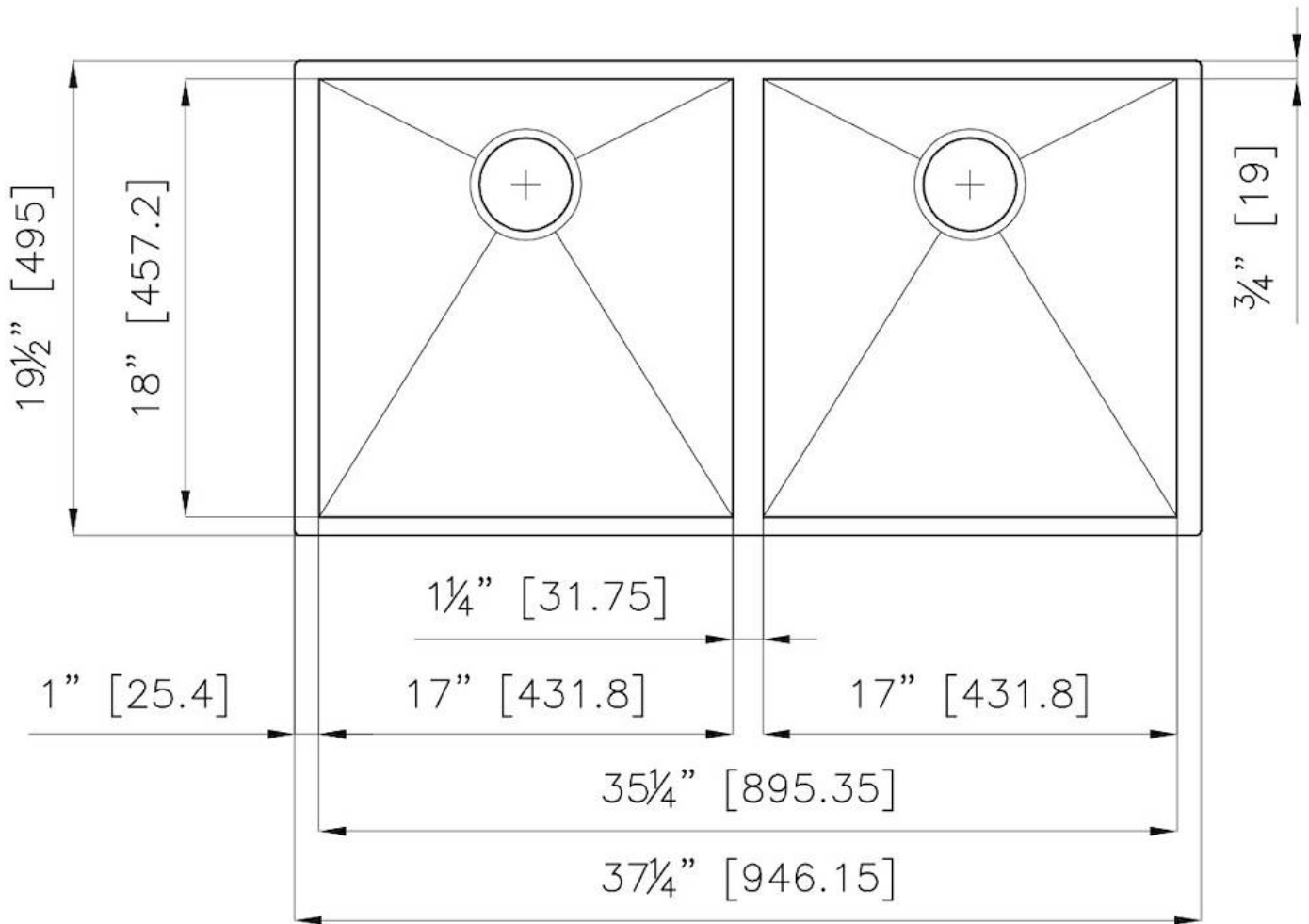
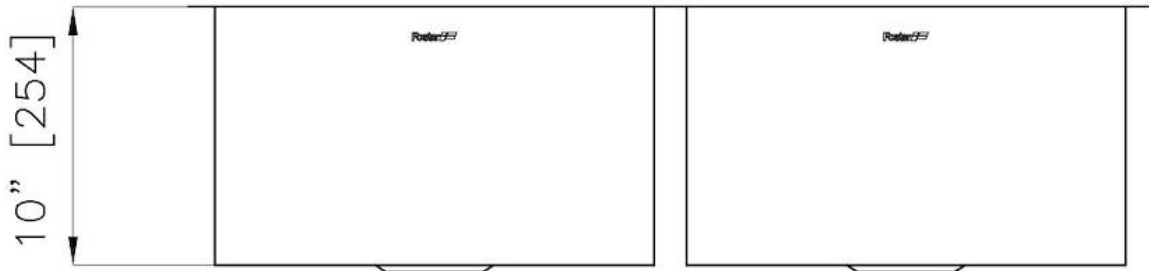
---

**Deep bowls** This bowls reach an important depth, over 20 cm, thanks to the advanced production technology, that can be offer great capieny and practicity in all the washing operations.

---

## TECHNICAL DATA

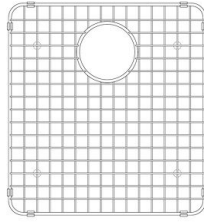




## OPTIONAL ACCESSORIES



**Waste disposer throat**  
8669 043



**Grid**  
8100 402



**Stainless steel plate rack**  
8100 154  
\* only in combination with the accessory  
8644 034



**Chopping board (USA)**  
8644 034

## RECOMMENDED PAIRINGS



**Faucet Ponza**  
8497 025



**Faucet Sicilia**  
8485 005



**Milano Cooktop 4 burners inLine**  
7640 900